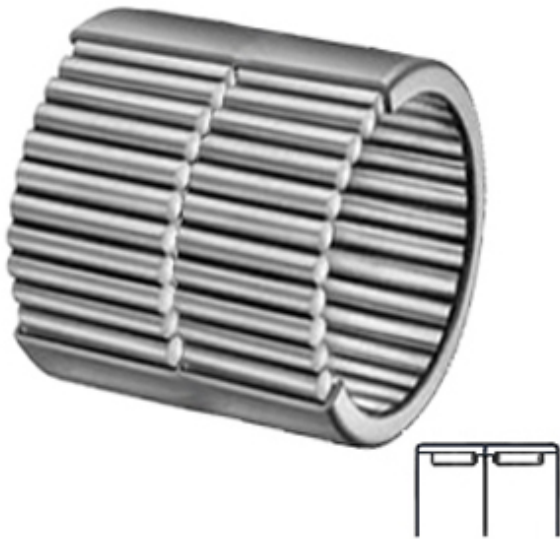




MCGILL BEARING Manufacturing Private ...



GR 18 Bearing 2D drawings and 3D CAD models

1.125 Inch | 28.575 Millimeter x 1.625 Inch |
 41.275 Millimeter x 1.25 Inch | 31.75 Millimeter
 MCGILL GR 18 Needle Non Thrust Roller
 Bearings

Bearing No. GR 18

Category	Needle Non Thrust Roller Bearings
Inventory	1.0
Manufacturer Name	REGAL BELOIT
Minimum Buy Quantity	N/A
Weight	0.136
EAN	0726166061685
Product Group	B04144
Rolling Element	Needle Roller Bearing
Component	Roller Assembly with Outer Ring - No Inner Ring
Enclosure	Open
Self Aligning	No
Retainer	No
Number of Rows of Rollers	Double Row
Separable	No
Closed End	No
Inch - Metric	Inch
Relubricatable	Yes
Thrust Bearing	No
Long Description	1-1/8" Bore; 1-5/8" Outside Diameter; 1-1/4" Width; Needle Roller Bearing; Roller Assembly with Outer Ring - No Inner Ring; Open Enclosure; No Self Aligning;



MCGILL BEARING Manufacturing Private ...

	No Retainer; Double Row of
Other Features	1 Rib Outer Ring Full Complement Heavy Duty Oil Hole
Category	Needle Non Thrust Roller Bearing
UNSPSC	31171512
Harmonized Tariff Code	8482.40.00.00
Noun	Bearing
Keyword String	Needle
Manufacturer URL	http://www.emerson-ept.com
Manufacturer Item Number	GR-18
Manufacturer Internal Number	5001800000
Weight / LBS	0.3
D	1.625 Inch 41.275 Millimeter
d	1.125 Inch 28.575 Millimeter
B	1.25 Inch 31.75 Millimeter