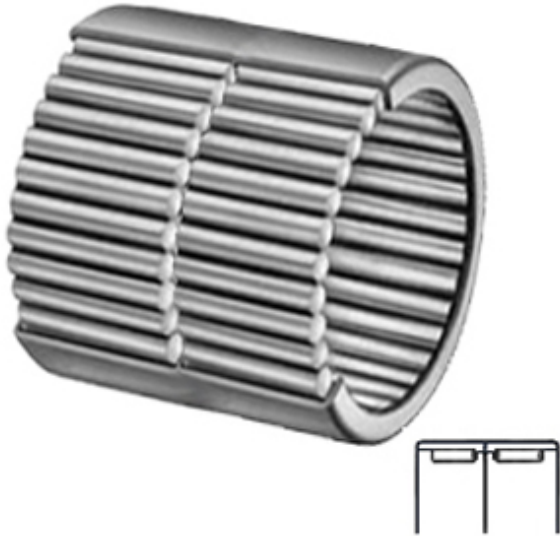




MCGILL BEARING Manufacturing Private ...



GR 14 Bearing 2D drawings and 3D CAD models

0.875 Inch | 22.225 Millimeter x 1.375 Inch |
 34.925 Millimeter x 1 Inch | 25.4 Millimeter
 MCGILL GR 14 Needle Non Thrust Roller
 Bearings

Bearing No. GR 14

Category	Needle Non Thrust Roller Bearings
Inventory	1.0
Manufacturer Name	REGAL BELOIT
Minimum Buy Quantity	N/A
Weight	0.087
EAN	0726166061449
Product Group	B04144
Rolling Element	Needle Roller Bearing
Component	Roller Assembly with Outer Ring - No Inner Ring
Enclosure	Open
Self Aligning	No
Retainer	No
Number of Rows of Rollers	Double Row
Separable	No
Closed End	No
Inch - Metric	Inch
Relubricatable	Yes
Thrust Bearing	No
Long Description	7/8" Bore; 1-3/8" Outside Diameter; 1" Width; Needle Roller Bearing; Roller Assembly with Outer Ring - No Inner Ring; Open Enclosure; No Self Aligning;



MCGILL BEARING Manufacturing Private ...

	No Retainer; Double Row of Roller
Other Features	1 Rib Outer Ring Full Complement Heavy Duty Oil Hole
Category	Needle Non Thrust Roller Bearing
UNSPSC	31171512
Harmonized Tariff Code	8482.40.00.00
Noun	Bearing
Keyword String	Needle
Manufacturer URL	http://www.emerson-ept.com
Manufacturer Item Number	GR-14
Manufacturer Internal Number	5001400000
Weight / LBS	0.192
d	0.875 Inch 22.225 Millimeter
B	1 Inch 25.4 Millimeter
D	1.375 Inch 34.925 Millimeter